

2024-2025 CATALOGUE

MARVTOOL

Add: No.199 XiXi jie, Linjiang industrial park Wucheng district, JinHua, Zhejiang

Tel: 0086-579-82258997

Fax: 0086-579-82258909

Mobile: 0086-15325910349

E-mail: sally@cnjingshen.com

Website: www.cnjingshen.com



MARVTOOL

2024-2025

CATALOGUE

OPEN AND CLOSE.
GET THE JOB DONE



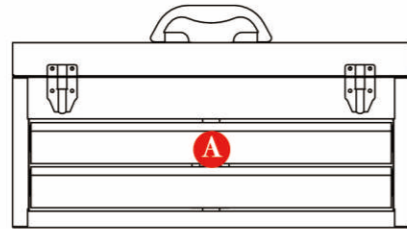
QUALITY
ASSURANCE



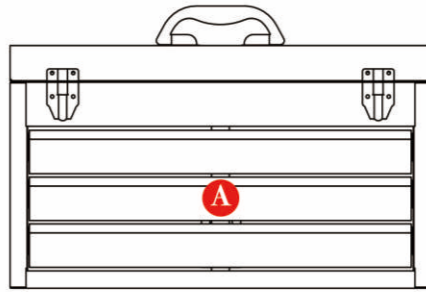
SAFE
AND RELIABLE

ECONOMY SERIES

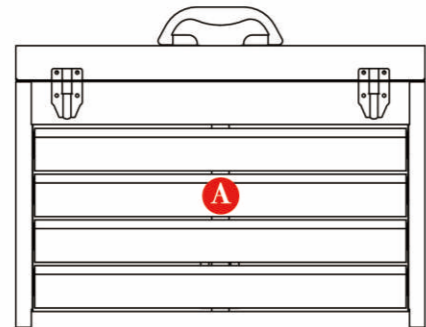
20" HAND CARRY TOOL BOXES



2 X **A** 17.7" L 7.7" W 1.4" H



3 X **A** 17.7" L 7.7" W 1.4" H



4 X **A** 17.7" L 7.7" W 1.4" H

CF200201

PRODUCT DIMENSIONS: 20.5" L X 8.6" W X 9.6" H
 DRAWER DIMENSIONS: 17.7" L X 7.7" W X 1.4" H
 PACKAGE SIZE: 22.8" L X 10.2" W X 11.2" H
 N.W. / G.W.: 14.6LBS / 17.6LBS
 20GP/40GP/40HQ: 605/1256/1582

CF200301

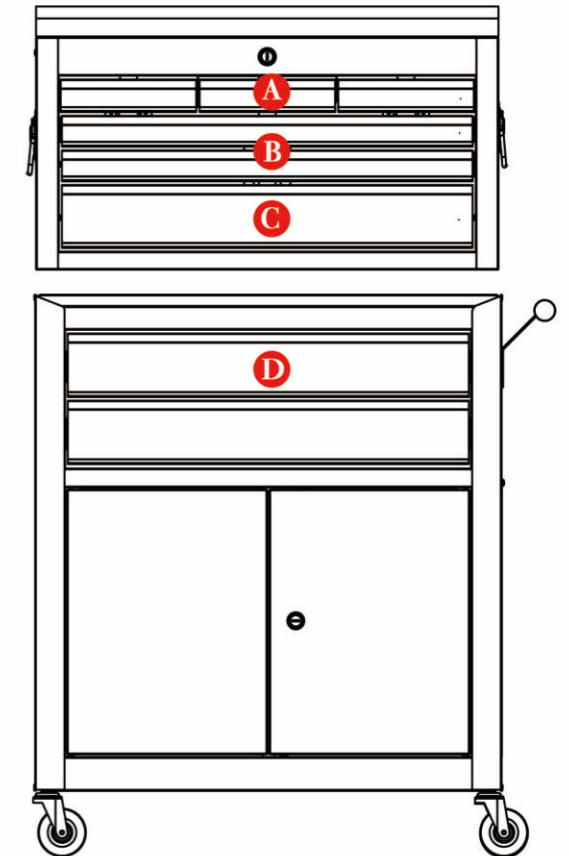
PRODUCT DIMENSIONS: 20.5" L X 8.6" W X 11.8" H
 DRAWER DIMENSIONS: 17.7" L X 7.7" W X 1.4" H
 PACKAGE SIZE: 22.8" L X 10.2" W X 13.6" H
 N.W. / G.W.: 18.1LBS / 22.0LBS
 20GP/40GP/40HQ: 500/1038/1307

CF200401

PRODUCT DIMENSIONS: 20.5" L X 8.6" W X 14.1" H
 DRAWER DIMENSIONS: 17.7" L X 7.7" W X 1.4" H
 PACKAGE SIZE: 22.8" L X 10.2" W X 15.7" H
 N.W. / G.W.: 21.6 LBS / 26.5LBS
 20GP/40GP/40HQ: 431/895/1127

ECONOMY SERIES

COMBO SETS



CF250201

PRODUCT DIMENSIONS: 23.6" L X 10.2" W X 13.4" H
 DRAWER SIZE: 5.9" L X 8.9" W X 1.4" H (3PCS)
 20.3" L X 8.9" W X 1.4" H (2PCS)
 20.3" L X 8.9" W X 2.8" H (1PCS)
 N.W.: 23.1LBS

3 X **A** 5.9" L 8.9" W 1.4" H
 2 X **B** 20.3" L 8.9" W 1.4" H
 1 X **C** 20.3" L 8.9" W 2.8" H
 2 X **D** 20.0" L 11.6" W 2.8" H

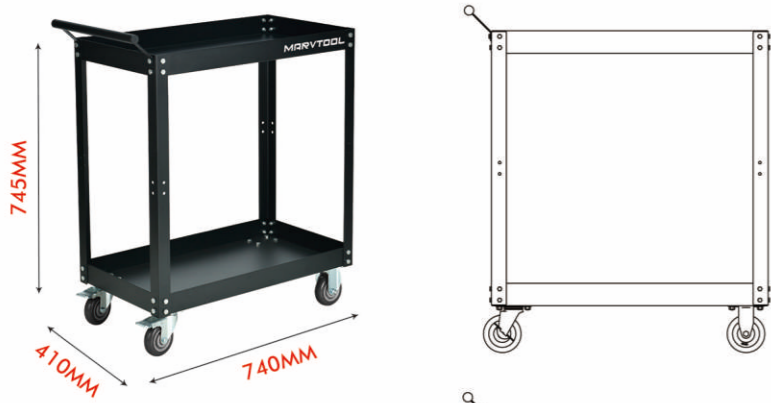


CF240601

PRODUCT DIMENSIONS: 24.4" L X 13.0" W X 29.1" H
 DRAWER SIZE: 20.0" L X 11.6" W X 2.8" H (2PCS)
 N.W.: 34.2LBS
 COMBO:
 PACKAGE SIZE: 26.8" L X 15.2" W X 27.6" H
 N.W.: 57.3 LBS
 20GP/40GP/40HQ: 142/295/371

ECONOMY SERIES

29" UTILITY CARTS



CF290001

PRODUCT DIMENSIONS: 28.9"L X 15.9"W X 34.3"H
 MAX WEIGHT LIMIT: 132.3LBS
 PACKAGE SIZE: 30.7"L X 17.7"W X 3.5"H
 N.W. / G.W.: 25.1 LBS / 27.8LBS
 20GP/40GP/40HQ: 823/1709/2153

CF290002

PRODUCT DIMENSIONS: 28.9"L X 15.9"W X 34.3"H
 MAX WEIGHT LIMIT: 198.4 LBS
 DRAWER SIZE: 24.8"L X 15.0"W X 2.4"H
 PACKAGE SIZE: 30.7"L X 17.7"W X 6.1"H
 N.W. / G.W.: 31.3 LBS / 34.0LBS
 20GP/40GP/40HQ: 478/992/1250

CF290101

PRODUCT DIMENSIONS: 28.9"L X 15.9"W X 34.3"H
 MAX WEIGHT LIMIT: 110.2LBS
 PACKAGE SIZE: 30.7"L X 17.7"W X 3.5"H
 N.W. / G.W.: 32.2 LBS / 34.9LBS
 20GP/40GP/40HQ: 823/1709/2153

CF290102

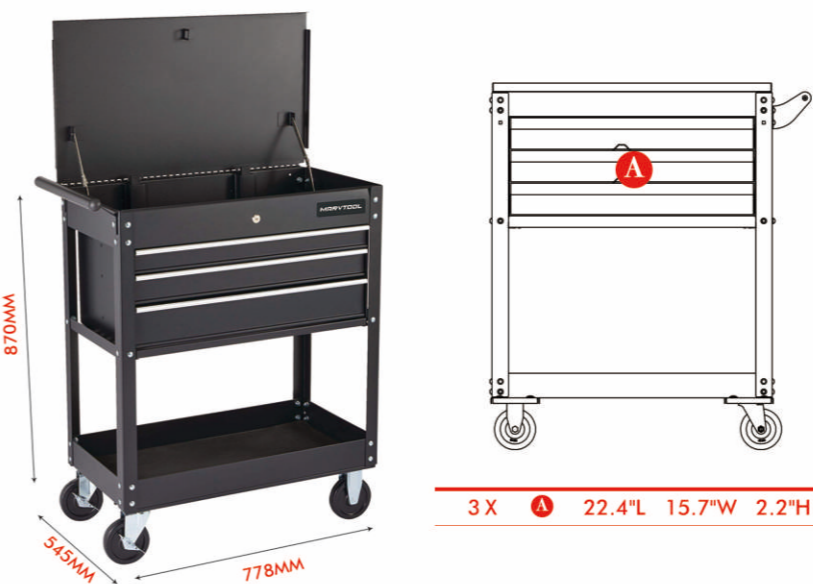
PRODUCT DIMENSIONS: 28.9"L X 15.9"W X 34.3"H
 MAX WEIGHT LIMIT: 176.4LBS
 DRAWER SIZE: 24.8"L X 15.0"W X 2.4"H
 PACKAGE SIZE: 30.7"L X 17.7"W X 6.1"H
 N.W. / G.W.: 38.8LBS / 41.4LBS
 20GP/40GP/40HQ: 478/993/1250

ECONOMY SERIES

26" 3 / 29" 5 DRAWER MECHANIC'S CART



3 X A 22.4"L 15.7"W 2.2"H



3 X A 22.4"L 15.7"W 2.2"H



2 X A 11.8"L 16.7"W 1.9"
 1 X B 11.8"L 16.7"W 4.5"

CF260301

PRODUCT DIMENSIONS: 26.7"L X 21.5"W X 34.3"H
 MAX WEIGHT LIMIT: 264.6LBS
 DRAWER LOAD CAPACITY: 44.1 LBS
 DRAWER SIZE: 22.4"L X 15.7"W X 2.2"H
 PACKAGE SIZE: 27.8"L X 18.3"W X 16.5"H
 N.W. / G.W.: 60.6LBS / 66.6LBS
 20GP/40GP/40HQ: 189/392/494

CF260302 (WITH LID)

PRODUCT DIMENSIONS: 26.7"L X 21.5"W X 34.3"H
 MAX WEIGHT LIMIT: 264.6 LBS
 DRAWER LOAD CAPACITY: 44.1LBS
 DRAWER SIZE: 22.4"L X 15.7"W X 2.2"H
 PACKAGE SIZE: 27.8"L X 18.3"W X 16.5"H
 N.W. / G.W.: 60.6LBS / 66.6LBS
 20GP/40GP/40HQ: 189/392/494

CF290501 (WITH LID)

PRODUCT DIMENSIONS: 30.3"L X 19.3"W X 39.0"H
 DRAWER SIZE: 11.8"L X 16.7"W X 1.9"
 11.8"L X 16.7"W X 4.5"
 24.6"L X 16.7"W X 2.6"
 24.6"L X 16.7"W X 4.5"
 PACKAGE SIZE: 31.1"L X 20.1"W X 39.8"H
 N.W. / G.W.: 88.2 LBS / 99.2LBS
 20GP/40GP/40HQ: 64/133/167

1 X C 24.6"L 16.7"W 2.6"
 1 X D 24.6"L 16.7"W 4.5"

CLASSIC SERIES

HAND CARRY TOOL BOXES



CS140001

PRODUCT DIMENSIONS: 14.2"L X 5.9"W X 4.9"H
 PACKAGE SIZE: 14.8"L X 7.1"W X 5.9"H
 N.W. / G.W.: 3.0 LBS / 5.5LBS
 20GP/40GP/40HQ: 2568/5333/6716



CS170001

PRODUCT DIMENSIONS: 17.0"L X 7.1"W X 7.1"H
 PACKAGE SIZE: 17.7"L X 8.3"W X 8.3"H
 N.W. / G.W.: 4.9LBS / 7.7LBS
 20GP/40GP/40HQ: 1310/2721/3427"



CS200001

PRODUCT DIMENSIONS: 20.1"L X 8.7"W X 9.4"H
 PACKAGE SIZE: 21.7"L X 9.4"W X 11.0"H
 N.W. / G.W.: 10.9LBS / 13.2LBS
 20GP/40GP/40HQ: 703/1461/1840

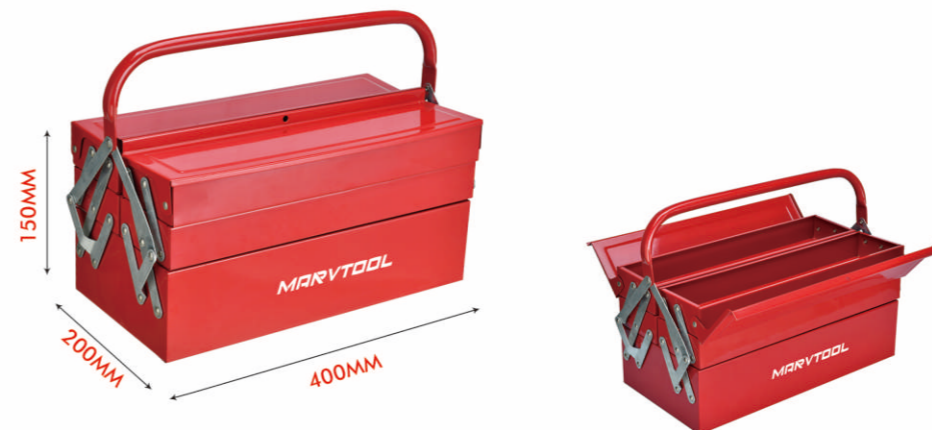
CLASSIC SERIES

HAND CARRY TOOL BOXES



CS150001

PRODUCT DIMENSIONS: 14.6"L X 6.5"W X 4.7"H
 PACKAGE SIZE: 15.0"L X 7.5 "W X 5.5"H
 N.W. / G.W.: 3.8LBS / 6.6LBS
 20GP/40GP/40HQ: 2572/5342/6727



CS160001

PRODUCT DIMENSIONS: 16.0"L X 8.1"W X 7.9 "H
 PACKAGE SIZE: 16.7"L X 8.9"W X 8.7"H
 N.W. / G.W.: 7.3 LBS / 9.9LBS
 20GP/40GP/40HQ: 1236/2567/3232

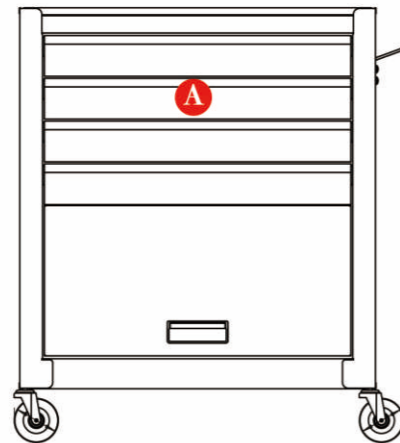


CS200003

PRODUCT DIMENSIONS: 20.0"L X 8.5"W X 9.1"H
 PACKAGE SIZE: 20.7"L X 9.3"W X 9.8"H
 N.W. / G.W.: 10.8LBS / 13.2LBS
 20GP/40GP/40HQ: 843/1751/2205

CLASSIC SERIES

ROLLER CABINET



CS240401

PRODUCT DIMENSIONS: 24.3"L X 13.0"W X 29.6"H
 MAX WEIGHT LIMIT: 165.3 LBS
 DRAWER SIZE: 20.1"L X 11.8"W X 2.4"H
 PACKAGE SIZE: 29.5"L X 15.0"W X 31.1"H
 N.W. / G.W.: 39.2 LBS / 44.1LBS
 20GP/40GP/40HQ: 115/240/302

4 X **A** 20.1"L 11.8"W 2.4"H

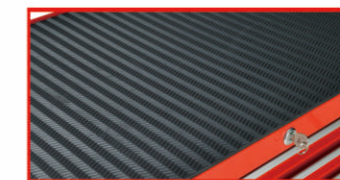


CS260501

PRODUCT DIMENSIONS: 26.4"L X 14.6"W X 34.2"H
 DRAWER SIZE: 21.7"L X 12.2"W X 3.0"H
 21.7"L X 12.2"W X 6.3"H
 PACKAGE SIZE: 30.0 "L X 15.4"W X 35.0"H
 N.W. / G.W.: 73.4 LBS / 83.8LBS
 20GP/40GP/40HQ: 99/205/258

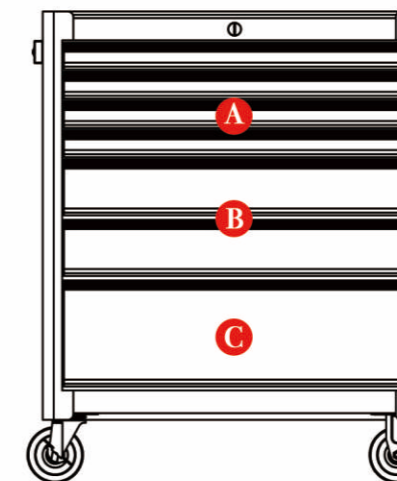
CLASSIC SERIES

ROLLER CABINET



CS270601

PRODUCT DIMENSIONS: 27"L X 19.0"W X 33.5"H
 DRAWER SIZE: 1.2: 23.2"L X 16.1"W X 1.4"H;
 3.4: 23.2"L X 16.1"W X 3.3"H
 5.6: 23.2"L X 16.1"W X 5.5"H
 PACKAGE SIZE: 28.7"L X 19.3"W X 34.6"H
 N.W. / G.W.: 99.2 LBS / 110.2LBS
 20GP/40GP/40HQ: 83/172/216



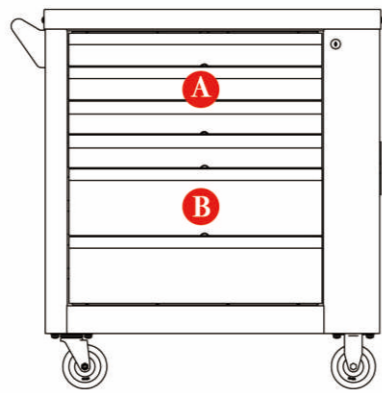
CS270701

PRODUCT DIMENSIONS: 27.6"L X 17.9"W X 34.4"H
 MAX WEIGHT LIMIT: 330.7 LBS
 DRAWER SIZE: 22.8"L X 13.8"W X 1.6"H
 22.8"L X 13.8"W X 3.5"H
 22.8"L X 13.8"W X 7.7"H
 PACKAGE SIZE: 28.3"L X 18.9"W X 35.4"H
 N.W. / G.W.: 116.8LBS / 127.9LBS
 20GP/40GP/40HQ: 84/174/219

4 X **A** 22.8"L 13.8"W 1.6"H
 2 X **B** 22.8"L 13.8"W 3.5"H
 1 X **C** 22.8"L 13.8"W 7.7"H

PRO SERIES

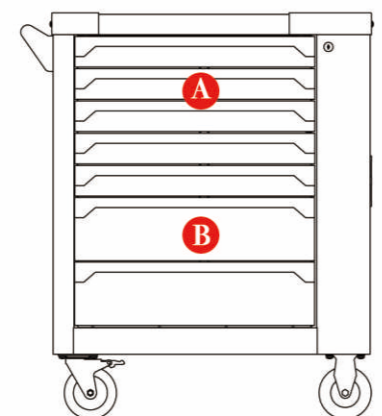
ROLLER CABINET



4 X	A	20.9"L	15.7"W	2.2"H
2 X	B	20.9"L	15.7"W	5.4"H

CS300601

PRODUCT DIMENSIONS: 30.0"L X 17.7"W X 33.5"H
 DRAWERS 1-4: 20.9"L X 15.7"W X 2.2"H
 DRAWERS 5-6: 20.9"L X 15.7"W X 5.4"H
 DRAWER MAX WEIGHT LIMIT: 66.1 LBS
 MAX WEIGHT LIMIT: 396.8LBS
 PACKAGE SIZE: 31.5"L X 18.1"W X 31.9"H
 N.W. / G.W.: 103.2LBS / 111.6LBS
 20GP/40GP/40HQ: 87/181/228



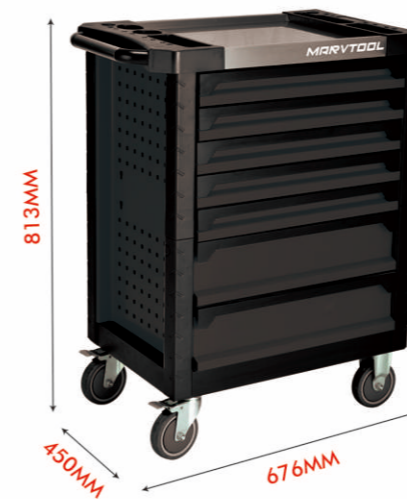
4 X	A	20.9"L	15.7"W	2.2"H
2 X	B	20.9"L	15.7"W	5.4"H

CS300701

PRODUCT DIMENSIONS: 30.0"L X 17.7"W X 36.8"H
 DRAWERS 1-4: 20.9"L X 15.7"W X 2.2"H
 DRAWERS 5-6: 20.9"L X 15.7"W X 5.4"H
 DRAWER MAX WEIGHT LIMIT: 66.1LBS
 MAX WEIGHT LIMIT: 463.0LBS
 PACKAGE SIZE: 31.5"L X 18.1"W X 33.9"H
 N.W. / G.W.: 126.1LBS / 136.2LBS
 20GP/40GP/40HQ: 82/171/215

PRO SERIES

COMBO SETS



CG270701

PRODUCT DIMENSIONS: 26.6"L X 17.7"W X 38.4"H
 DRAWERS : 20.7"L X 15.6"W X 2.4"H
 DRAWERS : 20.7"L X 15.6"W X 5.3"H
 PACKAGE SIZE: 27.4"L X 18.5"W X 39.2"H
 N.W. / G.W.: 116.8 LBS / 127.9LBS
 20GP/40GP/40HQ: 80/166/209



CG280401

PRODUCT DIMENSIONS: 27.8"L X 18.1"W X 18.1"H
 DRAWER SIZE: 22.4"L X 15.7"W X 2.3"H (3PCS)
 PACKAGE SIZE: 29.0"L X 19.3"W X 19.3"H
 N.W./G.W.: 81.4LBS / 92.6LBS

CG280701

PRODUCT DIMENSIONS: 27.8"L X 18.1"W X 40.2 "H
 DRAWER SIZE: 22.4 "L X 15.7"W X 2.3"H (5PCS)
 22.4 "L X 15.7"W X 5.4"H (2PCS)
 N.W./G.W.: 136LBS / 147.7LBS
 PACKAGE SIZE: 29.0"L X 19.3"W X 36.6 "H
 COMBO:
 N.W. / G.W.: 217.4 LBS / 240LBS
 20GP/40GP/40HQ: 51/105/133